



BOSCH

Invented for life



Kliklok TransFormer

Topload Carton Former
Produces Lock or Glue Cartons at 120 cpm

The Kliklok TransFormer combines the ability to form lock-style or glue-style cartons on the same machine at speeds up to 120 cartons/min with a single head. The Kliklok TransFormer, from the company that invented topload carton forming, has set the new standard for speed and flexibility.

The TransFormer's unique features include an ergonomic waist-level hopper that allows easy carton loading, and a servo driven high-precision THK linear rail plunger mounting system for absolute head-to-cavity positioning.

Easy operation with touchscreen HMI

The Insight® color graphic touchscreen HMI is intuitive and features recipe-based programming that reduces operator error and ensures consistent performance, regardless of shift or operator skill. Enhanced diagnostics are standard.

Lock- or glue-forming flexibility

The TransFormer offers the greatest production line flexibility by being able to run lock-formed and glue-formed carton on one machine – and the glue system does not need to be removed to run lock-formed cartons.

Fastest former available

The TransFormer's short-stroke, servo-driven forming head can reach speeds of 120 cartons per minute – nearly double the speed of many other formers – and a single head means faster changeovers.

High carton capacity

The TransFormer's high capacity carton hopper is set at waist level for easy loading. A belt drive with pneumatic pressure assist ensures consistent carton feeding.

Fast changeovers

The TransFormer features a simplified toolless changeover procedure that is guided by the Insight HMI. Minimal change parts and easy-to-read adjustment gauges ensure repeatability with significantly less downtime.

Key Features

- ▶ Speeds up to 120 cpm (single head)
- ▶ Lock and glue forming on one machine
- ▶ Low-level extended capacity carton hopper
- ▶ Easy-to-use Insight® touchscreen HMI
- ▶ Integrated outfeed conveyor
- ▶ Fast changeovers

Packaging System Structure

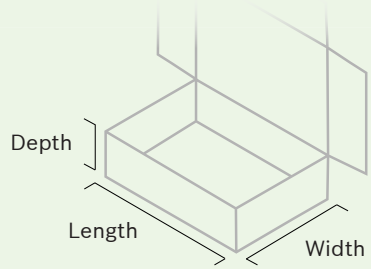
Primary Packaging

Product Handling

Secondary Packaging

Kliklok TransFormer Topload Carton Former

Technical Specifications

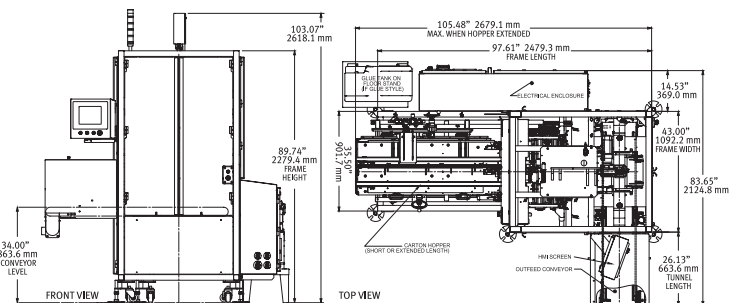
Performance		Carton Size Range	Minimum	Maximum
Speed (strokes per min)	Variable from 30 to 120	Length	127 mm (5.00")	406 mm (16.00")
Actual speed depends upon machine configuration and carton size and style. Ask Kliklok about meeting higher speed requirements.		Width	102 mm (4.00")	205 mm (8.00")
		Depth	22 mm (.87")	102 mm (4.00")
Operating Requirements		An individual carton combining multiple minimum or maximum dimensions may not be compatible with the standard system.		
Power Consumption	7 kVA			
Air	708 liters/min (25 cfm) 5.5 bar (80 psi)			
Construction				
Fully-welded tubular stainless steel frame with clear polycarbonate guards. Anodized aluminum.				
Shipping Weight	1370 kg (3014 lb)			

Standard Features

- ▶ Speeds up to 120 cpm with a single composite head
- ▶ Capable of running glue-style and/or stripper lock-style cartons
- ▶ Waist level hopper
- ▶ 1270 mm (50") hopper capacity
- ▶ Controlled carton supply with photoeye
- ▶ Vacuum generator for carton feeder
- ▶ Servo profiled plunger
- ▶ Tool-less quick-release plunger mounting
- ▶ Integrated outfeed conveyor with VFD drive
- ▶ Color touchscreen HMI, front-mounted
- ▶ Allen-Bradley electronics
- ▶ Jog control pendant
- ▶ Carton air eject
- ▶ Barrier guarding with interlocking doors
- ▶ Nema 4X stainless steel slope top electrical enclosure with flange-mounted main disconnect
- ▶ IP54 dust and water splash protection
- ▶ Casters for portability and stainless steel leveling screws
- ▶ Delayed start alarm
- ▶ Multi-color light stack
- ▶ External ethernet convenience port
- ▶ Low carton inventory sensing with alarm

Optional Features

- ▶ Pressurized hot melt glue system
- ▶ IP 65 construction
- ▶ Alternative electrical controls



Bosch Packaging Technology

boschpackaging.com

Kliklok International Western Drive, Hengrove Park Estate, Bristol, BS14 0AY UK +44 1275 836131 kliklok-int.com

Kliklok-Woodman 5224 Snapfinger Woods Drive, Decatur, GA 30035 USA +1 770-981-5200 kliklokwoodman.com