



**BOSCH**

Invented for life



## Woodman P3/P3c

### Vertical Form-Fill-Seal Bagmaker Legendary Reliability with 21st Century Design

The P3 and P3c “Universal Bagmakers” provide ease of use, high speed, and package size flexibility to applications including: potato chips, tortilla chips, corn chips, pretzels, snack crackers, popcorn and all other salted snacks. They produce a wide range of bag sizes with consistent performance throughout the range, thanks to servo motion controls and auto program setup. The P3c is a continuous-motion machine providing higher speeds.

The P3 and P3c offer a variety of bag style options, including block bottom bags, perforated bag string, promotional strip, notching and hole punching. They feature KW’s most advanced servo motion control of the film pull belts, end-seal jaws and stripping, for quieter, smoother and faster operation than ever before.

#### **Woodman-exclusive programmable stripping, clamp and settler**

Woodman’s proven programmable stripping and product clamp and settler ensure that even the trickiest snack foods will be perfectly packaged every time.

#### **Easy operation with Insight® touchscreen HMI**

The industry-leading Insight® color graphic touchscreen HMI is intuitive and features recipe-based programming that reduces operator error and ensures consistent performance regardless of shift or operator skill. Enhanced diagnostics are standard.

#### **Out-of-the-way electrical cabinets for smaller footprint**

The electrical cabinets are recessed inside the frame, creating a smaller footprint and adding to the ease of accessibility.

#### **Maximum access with open-design Flex-Mount frame**

The P3/P3c’s open frame design offers unparalleled maintenance access into the heart of the machine, yet is strong enough to support a filling system.

#### **Increased uptime with easy film threading**

Dancer bars raise to create a straight-line film path, reducing changeover time. The film unwind is direct-drive, eliminating secondary braking and providing perfectly matched film tension to the pull belts.

### Key Features

- ▶ Speeds up to 120 bpm
- ▶ Flex-Mount frame for direct mounting of weigher
- ▶ Recessed electrical cabinets lessen footprint
- ▶ Woodman-exclusive product clamp and settler
- ▶ Easy-lacing film path for fast changeovers
- ▶ Easy-to-use Insight® touchscreen HMI

## Packaging System Structure

Primary Packaging

Product Handling

Secondary Packaging

# Woodman P3 / P3c Vertical Form-Fill-Seal Bagmaker

## Technical Specifications

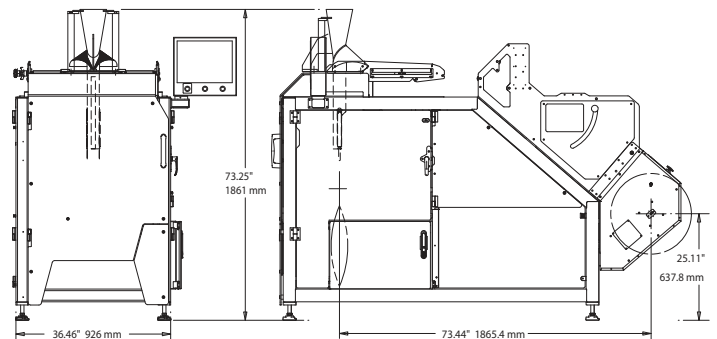
Performance		Bag Size Range	Minimum	Maximum
P3 Production Speed	10 bpm up to 100 bpm	Width	63 mm ( 2.50")*	305 mm ( 12.00")
P3c Production Speed	10 bpm up to 120 bpm	Length	76 mm ( 3.00")	559 mm ( 22.00")
<b>Operating Requirements</b>		*54 mm ( 2.12"), available at extra charge		
Power Consumption	7 kVA	<b>Bag Appearance</b>		
Air ( 100 bpm )	43 liters/min ( 1.5 cfm ) 4.8 bar ( 70 psi )	Bag Styles	Pillow Pouch, Gusseted, Flat / Block Bottom	
Air at startup	708 liters/min ( 25 cfm )	Bag Seal Type	Lap Seal, Fin Seal	
Environment	10-38°C ( 50-100°F ) normal ambient < 90% non-condensing humidity	<b>Film Roll Dimensions</b>		
<b>Construction</b>		Film Core Inside Diameter	76 mm ( 3.00")	
Welded tubular powder-coated steel frame. Clear polycarbonate guards.		Max. Film Roll Outside Diameter	330 mm ( 20.00")	
Shipping Weight, Skidded		Max. Film Roll Weight	34 kg ( 75 lb )	
	1273 kg ( 2800 lb )			

## Standard Features

- ▶ **P3c** Continuous-motion profile
- ▶ **P3c** Film-driven rotary seam seal bar
- ▶ Intermittent motion
- ▶ Open-design tubular steel Flex-Mount frame
- ▶ Servo motor-controlled: film pull belts, end seal jaws and stripping motion
- ▶ Cantilevered film spindle with powered film unwind
- ▶ Self-positioning seam seal bar
- ▶ Straight-line film threading
- ▶ Electronic registration control
- ▶ Product clamp and settler
- ▶ Sealing jaws with Heat Pipe technology
- ▶ Insight® color graphic touchscreen HMI with performance reporting, diagnostics and troubleshooting
- ▶ Automatic program setup
- ▶ Instant program changeover
- ▶ Quick-change former assembly
- ▶ "Off-the-shelf" control components
- ▶ In-frame electrical panels
- ▶ Ancillary device isolated interface strip
- ▶ 110-volt convenience outlet and data port
- ▶ Full safety guarding and interlocks
- ▶ Able to accept Woodman Polaris formers

## Optional Features

- ▶ Direct-to-frame filling system support
- ▶ Film vacuum splice assist
- ▶ Woodman Codeline TTO printer
- ▶ Integrated code-dater mounts and controls
- ▶ Automatic film tracking
- ▶ Quick-change ultralight former assembly
- ▶ Programmed nitrogen flush
- ▶ Frame-mounted or former-mounted product paker
- ▶ Vacuum film assist
- ▶ Quick-change jaws support
- ▶ Hole-punch jaws
- ▶ Wavy knife
- ▶ Notcher
- ▶ Perforated bag strip
- ▶ Special end seal configurations
- ▶ Flat-bottom bag system
- ▶ Gusset tuckers
- ▶ Promotional strip
- ▶ Ethernet connectivity
- ▶ Web browser for single point control
- ▶ Low film alarm



Bosch Packaging Technology

[boschpackaging.com](http://boschpackaging.com)

**Kliklok International** Western Drive, Hengrove Park Estate,  
Bristol, BS14 0AY UK +44 1275 836131 [kliklok-int.com](http://kliklok-int.com)

**Kliklok-Woodman** 5224 Snapfinger Woods Drive, Decatur, GA 30035  
USA +1 770-981-5200 [kliklokwoodman.com](http://kliklokwoodman.com)